



**AGILE ROBOTS**



**Diana 7**  
technical  
data sheet

# Specifications

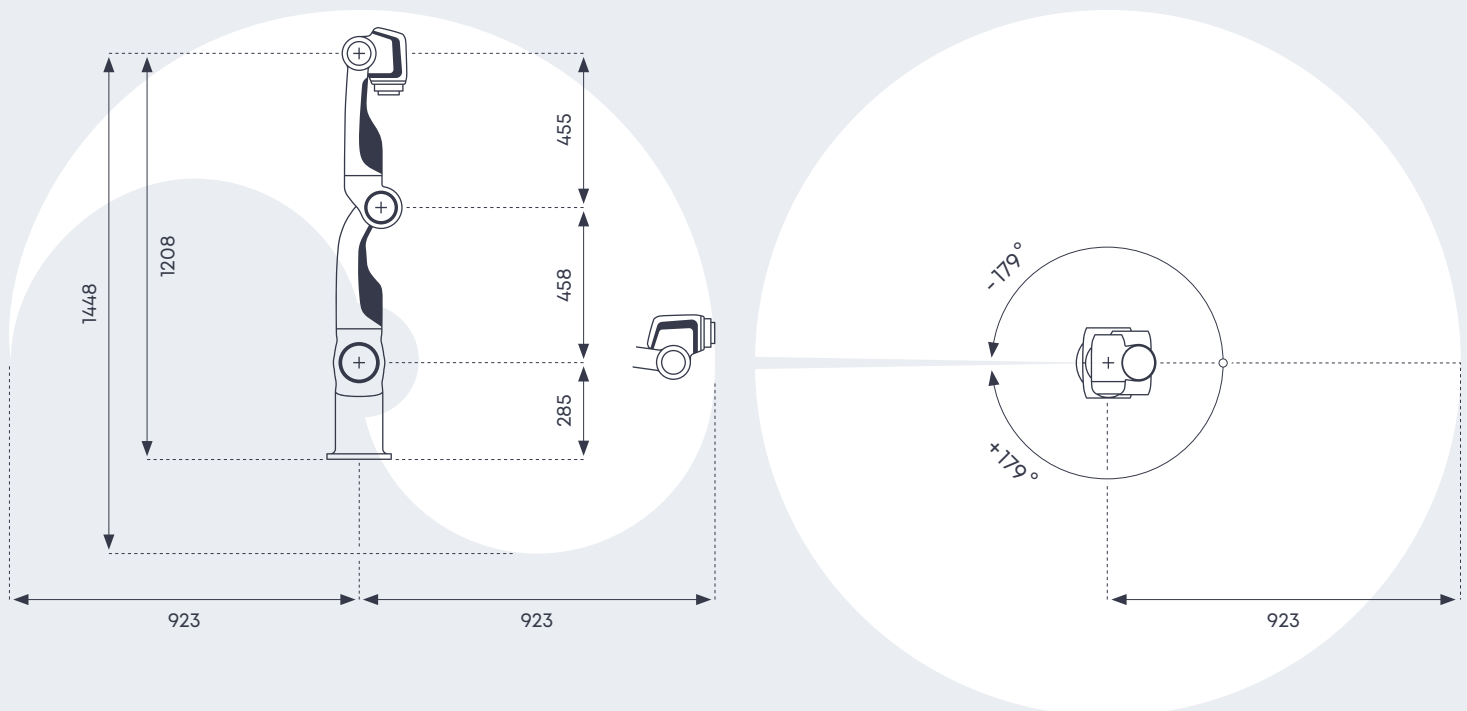
## Diana 7

<b>Loading capacity</b>	7kg
<b>Protection rating</b>	IP54
<b>Workspace radius</b>	923 mm
<b>Degrees of freedom</b>	7
<b>Repeatability</b>	±0.05 mm
<b>Robot weight</b>	26 kg
<b>Base diameter</b>	φ190 mm
<b>End tool connector</b>	ISO 9409
<b>Programming type</b>	C++, Python
<b>TCP typical line speed</b>	1m/s
<b>Operating temperature</b>	0 to 50°C
<b>Operating humidity</b>	90% RH (non-condensable)
<b>Safety</b>	EN ISO 12100:2010 EN 60204-1:2018 EN ISO 13849-1:2015 EN ISO 10218-1:2011

Joints	Range of motion	max. speed
1	-179° to 179°	170 °/s
2	-90° to 90°	170 °/s
3	-179° to 179°	170 °/s
4	0° to 175°	170 °/s
5	-179° to 179°	210 °/s
6	-179° to 179°	210 °/s
7	-179° to 179°	210 °/s

## Control Box

<b>Cable length (body – box)</b>	5.0 m
<b>Power cable length</b>	3.0 m
<b>Power supply</b>	110V ~240 VAC, 50/60 Hz 45V to 65VDC
<b>Size</b>	483 mm × 439 mm × 160 mm
<b>Weight</b>	17 kg
<b>I/O Port</b>	32 digital in / 16 digital out, 2 analogue in / 2 analogue out
<b>I/O power supply</b>	24V / 2A



© Agile Robots AG  
Staffelsestr. 8  
81477 Munich

+49 89 277 814-101  
welcome@agile-robots.com

Technical data may be subject to change  
without previous notice.

Please request detailed drawings here:  
sales@agile-robots.com

[www.agile-robots.com](http://www.agile-robots.com)