



AGILE ROBOTS



Diana 7

Say hello to
a new era

Lightweight robotics meets multisensory technology



7 degrees of freedom. 7 joints. 7 kg payload

Say hello to Diana 7



Diana 7 is an industrial lightweight seven-axis robot. With a payload capacity of seven kilograms and a functional reach of 923mm it is particularly suitable for complex and highly sensitive assembly processes, as a torque sensor is installed in each joint.

In the Chinese market, Diana 7 is already used successfully to install electronic components in smartphones, tablets, PCs, and more. Here, the ramp-up phase must be completed within a short period and production must be at full capacity and quality to realize precise manipulation tasks. In addition, Diana 7 is already in use in the automotive and pharmaceutical sectors, as well as in 3C production.

Currently, Agile Robots is producing Diana 7 in series production in China. The project experience and the established manufacturing site support us in setting up the production site in Bavaria. In Kaufbeuren, our 2,700 square meters production facility will enable us to produce 2,500 robots per year.

Robots made in Bavaria.

SAFE

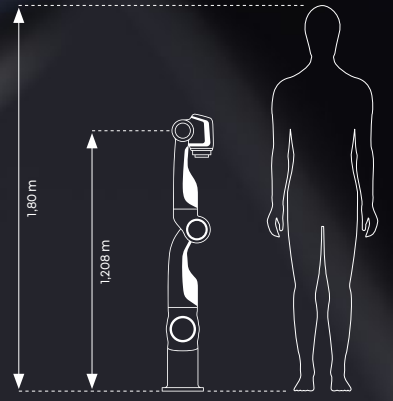
Safety guaranteed
by high precision torque-control and design

SKILLFULL

Maximum dexterity in
industrial environments

INTUITIVE

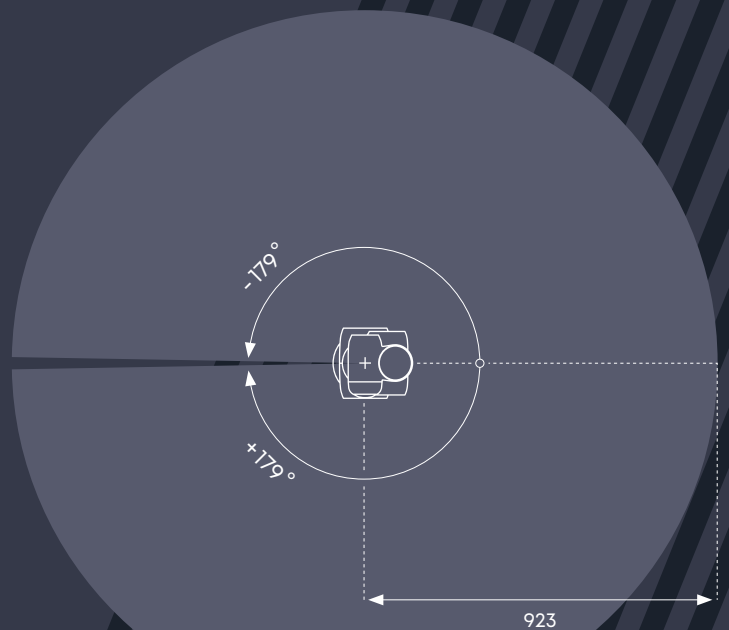
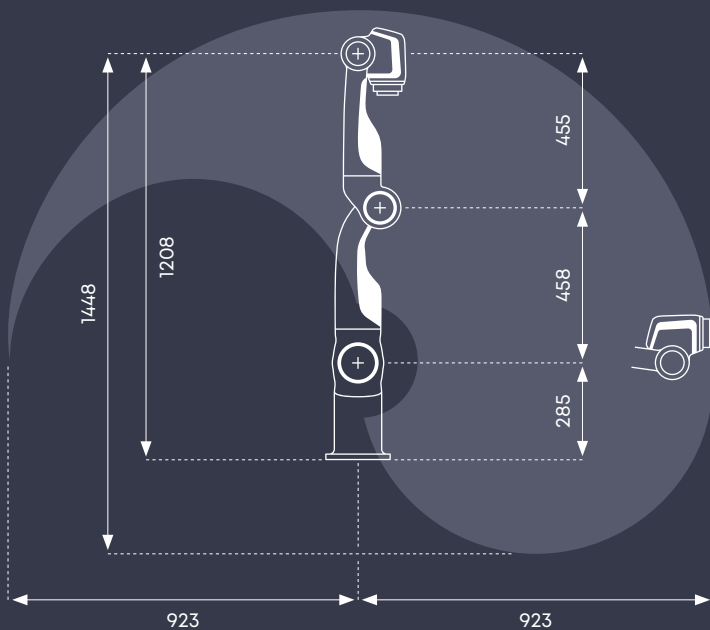
Intuitive teaching through
user-friendly interface



Skilled for complex tasks

Loading capacity	7kg
Protection rating	IP54
Workspace radius	923 mm
Degrees of freedom	7
Repeatability	±0.05 mm
Robot weight	26 kg
Base diameter	φ190 mm
End tool connector	ISO 9409
Programming type	C++, Python
TCP typical line speed	1 m/s
Operating temperature	0 to 50 °C
Operating humidity	90 % RH (non-condensable)
Safety	EN ISO 12100:2010 EN 60204-1:2018 EN ISO 13849-1:2015 EN ISO 10218-1:2011

Joints	Range of motion	max. speed
1	-179° to 179°	170°/s
2	-90° to 90°	170°/s
3	-179° to 179°	170°/s
4	0° to 175°	170°/s
5	-179° to 179°	210°/s
6	-179° to 179°	210°/s
7	-179° to 179°	210°/s



Agile Robots AG is an international high-tech company based in Munich, Germany, with more than 600 employees worldwide. Our mission is to bridge the gap between artificial intelligence and robotics by developing systems that combine state-of-the-art force-moment sensing and world-leading image processing technology. This unique combination of technologies allows us to provide user-friendly and affordable robotic solutions that enable intelligent precision assembly.